

CD4NH Limit Switch 行程开关

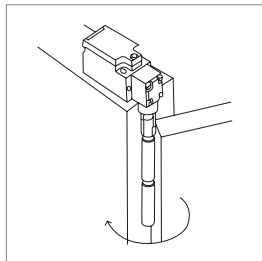
接触形式 Contact Type

型号 mode	接点 contactor	接触形式 Contact Type	动作型式 operation type	说明 instruction
CD4NH-□5□□型	1NC/NO			NC接点只有(11-12)有强制开离功能(异极可使用) NC contactor (11-12) only have force to open and shut function (heteropolar can be used)
CD4NH-□A□□型	2NC			两个NC接点(11-12, 21-22)有强制开离功能(异极可使用) The two NC contactors (11-12, 21-22) have force to open and shut function (heteropolar can be used)

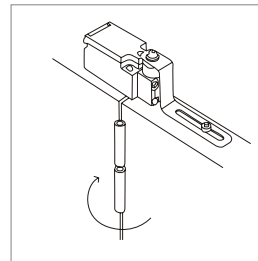
注：端子号码EN50013,接触记号EN60747-5-1。

应用案例 Example (保护门的安全对策 safety method of shutter)

轴旋型 rotation type

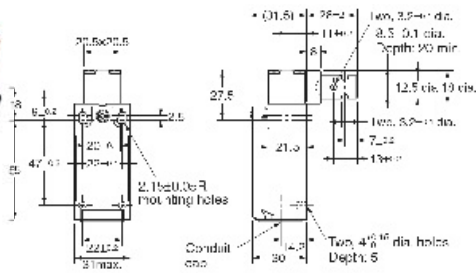


认臂杆型 armed lever type



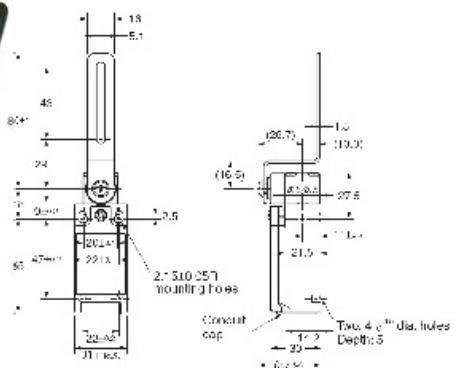
CD4NH-1AAS
CD4NH-1BAS
CD4NH-1CAS

CD4NH-1DAS
CD4NH-1EAS
CD4NH-1FAS



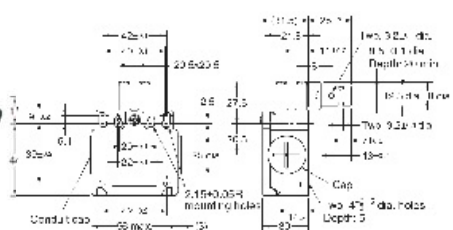
CD4NH-1ABC
CD4NH-1BBC
CD4NH-1CBC

CD4NH-1DBC
CD4NH-1EBC
CD4NH-1FBC



CD4NH-5AAS
CD4NH-5BAS
CD4NH-5CAS

CD4NH-5DAS
CD4NH-5EAS
CD4NH-5FAS



CD4NH-5ABC
CD4NH-5BBC
CD4NH-5CBC

CD4NH-5DBC
CD4NH-5EBC
CD4NH-5FBC

